



NEWPORT AERONAUTICAL

**TECHNICAL
MANUALS
ENGINEERING
DRAWINGS
ON
MILITARY &
COMMERCIAL AIRCRAFT**



**ONLINE
TECHNICAL
DATA
SEARCH**

www.newportaero.com

TECHNICAL MANUALS*

Newport provides technical manuals for most American military & commercial aircraft; including: engines, accessories, components and support equipment.

We supply USAF TO's, Navy-NAVAIR's, Army-TM's, Army-DMWR's, flight manuals, maintenance manuals, overhaul/repair manuals, illustrated parts catalogs and IPB's to meet any technical data requirement.

Used for: overhaul and repair of accessories and components, spare part replacement information, vendor information, location and identification of repair parts, acceptance test procedures, and part number cross reference information.

ENGINEERING DRAWINGS*

We supply complete *non-proprietary* manufacturers engineering drawings and detailed drawings on American-made spare parts and components. To satisfy requirements for:

**PMA • Contract Bidding
Manufacturing • Repairs • Inspection**

We can supply you with the latest revisions, updates, and changes on *unclassified* engineering drawings currently used by the US military services.

SAME DAY AVAILABILITY VIA ELECTRONIC DOWNLOAD




NEWPORT AERONAUTICAL



With over 40 years experience, Newport Aeronautical Sales is the largest aircraft technical data supplier in the US. We supply technical manuals and engineering drawings for most American-made commercial and military aircraft. We specialize in aircraft from the early 1940's to the present. In fact, we are the only company that truly specializes in technical manuals and engineering drawings on a full-time basis. We have the most complete library of technical manuals and engineering drawings available anywhere. With over 500,000 technical manuals, 1,000,000 engineering drawings and our vast network of suppliers, Newport can fulfill your technical data needs. Our knowledgeable and experienced staff will help to satisfy your requirements, without delay. No matter whether you need technical data for contract bidding, quoting the repair or inspection, we can help you get the information you need right away.

We look forward to serving you.

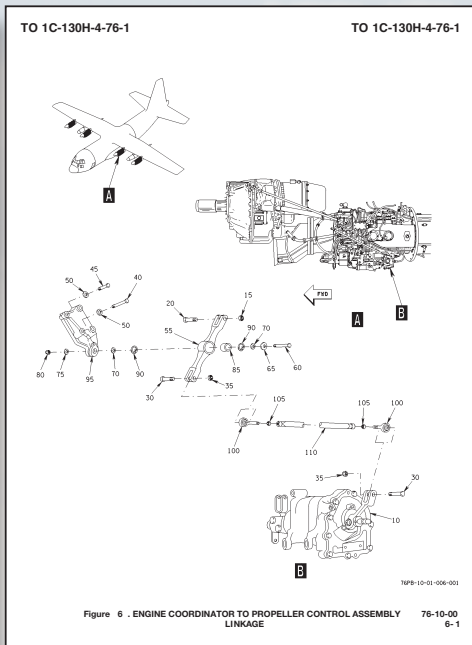
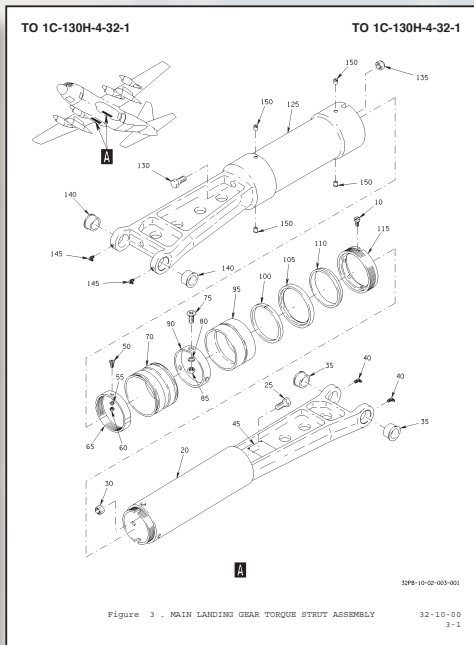

Sincerely,
George M. Posey, III
President

1542 Monrovia Avenue | Newport Beach, California 92663-2807
949.574.4100 | Fax 949.574.4106
www.newportaero.com | info@newportaero.com



www.newportaero.com

TO 1C-130H-4-32-1			TO 1C-130H-4-32-1			SHRINK OR CODE	UNITS PER ASSY				
FIG. ITEM	PART NUMBER	CAGE	1	2	3			4	5	6	7
3	388064-1	98897	MAIN LANDING GEAR TORQUE STRUT ASSEMBLY							A	REF
- 5	388064-1	98897	STRUT ASSY, TORQUE, MAIN LANDING GEAR (SEE T.O. 451-49-11) (UNLESS NOT OTHERWISE INDICATED)							A	1
- 5	388064-3	98897	EXHAUSTED USE 388064-3) (SEE REFERENCED FIGURES FOR PARTS KIT) (SEE FIG. 1 FOR MAIN)							C	REF
- 10	388064-1	98897	STRUT ASSY, TORQUE, MAIN LANDING GEAR (SEE T.O. 451-49-11) (UNLESS NOT OTHERWISE INDICATED)							C	1
- 10	388064-1	98897	STRUT ASSY, TORQUE, MAIN LANDING GEAR (SEE T.O. 451-49-11) (UNLESS NOT OTHERWISE INDICATED)							C	1
- 15	388064-7	98897	STRUT ASSY, APT TORQUE, M/G (WHEN EXHAUSTED IN LINE OF 388064-1)							C	1
20	388064-3	98897	STRUT, TORQUE, M/G (WHEN EXHAUSTED IN LINE OF 388064-1)							A	1
20	388064-5	98897	STRUT, TORQUE, M/G (WHEN EXHAUSTED IN LINE OF 388064-1)							A	1
25	388064-5	98897	STRUT, TORQUE, M/G (WHEN EXHAUSTED IN LINE OF 388064-1)							A	1
25	388064-5	98897	STRUT, TORQUE, M/G (WHEN EXHAUSTED IN LINE OF 388064-1)							A	1
30	388064-5	98897	STRUT, TORQUE, M/G (WHEN EXHAUSTED IN LINE OF 388064-1)							A	1
35	388064-5	98897	STRUT, TORQUE, M/G (WHEN EXHAUSTED IN LINE OF 388064-1)							A	1
40	388064-5	98897	STRUT, TORQUE, M/G (WHEN EXHAUSTED IN LINE OF 388064-1)							A	1
45	388064-5	98897	STRUT, TORQUE, M/G (WHEN EXHAUSTED IN LINE OF 388064-1)							A	1
50	388064-5	98897	STRUT, TORQUE, M/G (WHEN EXHAUSTED IN LINE OF 388064-1)							A	1
55	388064-5	98897	STRUT, TORQUE, M/G (WHEN EXHAUSTED IN LINE OF 388064-1)							A	1
60	388064-5	98897	STRUT, TORQUE, M/G (WHEN EXHAUSTED IN LINE OF 388064-1)							A	1
65	388064-5	98897	STRUT, TORQUE, M/G (WHEN EXHAUSTED IN LINE OF 388064-1)							A	1
70	388064-5	98897	STRUT, TORQUE, M/G (WHEN EXHAUSTED IN LINE OF 388064-1)							A	1
75	388064-5	98897	STRUT, TORQUE, M/G (WHEN EXHAUSTED IN LINE OF 388064-1)							A	1
80	388064-5	98897	STRUT, TORQUE, M/G (WHEN EXHAUSTED IN LINE OF 388064-1)							A	1
85	388064-5	98897	STRUT, TORQUE, M/G (WHEN EXHAUSTED IN LINE OF 388064-1)							A	1
90	388064-5	98897	STRUT, TORQUE, M/G (WHEN EXHAUSTED IN LINE OF 388064-1)							A	1
95	388064-5	98897	STRUT, TORQUE, M/G (WHEN EXHAUSTED IN LINE OF 388064-1)							A	1
100	388064-5	98897	STRUT, TORQUE, M/G (WHEN EXHAUSTED IN LINE OF 388064-1)							A	1
105	388064-5	98897	STRUT, TORQUE, M/G (WHEN EXHAUSTED IN LINE OF 388064-1)							A	1
110	388064-5	98897	STRUT, TORQUE, M/G (WHEN EXHAUSTED IN LINE OF 388064-1)							A	1
115	388064-5	98897	STRUT, TORQUE, M/G (WHEN EXHAUSTED IN LINE OF 388064-1)							A	1
120	388064-5	98897	STRUT, TORQUE, M/G (WHEN EXHAUSTED IN LINE OF 388064-1)							A	1
125	388064-5	98897	STRUT, TORQUE, M/G (WHEN EXHAUSTED IN LINE OF 388064-1)							A	1
130	388064-5	98897	STRUT, TORQUE, M/G (WHEN EXHAUSTED IN LINE OF 388064-1)							A	1
135	388064-5	98897	STRUT, TORQUE, M/G (WHEN EXHAUSTED IN LINE OF 388064-1)							A	1
140	388064-5	98897	STRUT, TORQUE, M/G (WHEN EXHAUSTED IN LINE OF 388064-1)							A	1
145	388064-5	98897	STRUT, TORQUE, M/G (WHEN EXHAUSTED IN LINE OF 388064-1)							A	1
150	388064-5	98897	STRUT, TORQUE, M/G (WHEN EXHAUSTED IN LINE OF 388064-1)							A	1
155	388064-5	98897	STRUT, TORQUE, M/G (WHEN EXHAUSTED IN LINE OF 388064-1)							A	1
160	388064-5	98897	STRUT, TORQUE, M/G (WHEN EXHAUSTED IN LINE OF 388064-1)							A	1



CMM'S, IPC'S, VENDOR MANUALS AND DRAWINGS AVAILABLE

Below is a list of subjects for which technical manuals, engineering drawings and specifications are available.

AIRCRAFT military and commercial
Attack, Cargo, Corporate, Fighter, Helicopter, Passenger, Trainer, Transport, Utility, and others. See back page for list of aircraft.

VEHICLES
Tanks, Trucks & Components

Ambulances, Armored vehicles, Axles, Brakes, Cranes, Jeeps, Motors, Test equipment, Tractors, Transporters, and others.

ENGINES, COMPONENTS AND RELATED EQUIPMENT

Afterburner systems, Auxiliary power Afterburner systems, Auxiliary power units, Blades, Exhaust assemblies, Helicopter Rotors, Ignition systems, Jet/turbine engines, Support equipment, and others.



AIRBORNE ELECTRONIC EQUIPMENT AND COMPONENTS

Autopilot systems, Communications systems, Display units, Navigation equipment, Radar, and others.

FUEL SYSTEMS AND COMPONENTS

Fuel control, Valves, Fuel handling equipment, Fuel pumps, Fuel tanks, Pods, Propellants, Refueling systems, Support equipment, and others.

HYDRAULIC SYSTEMS AND COMPONENTS

Accumulators, Actuators, Cleaning and purging equipment, Control systems, Filters, Hoses, Kits, Pumps, Servomechanisms, Valves, Support equipment, and others.



LANDING GEAR SYSTEMS AND COMPONENTS

Axles, Bearings, Brakes, Ground handling and support equipment, Jacks, Mechanisms, Servos, Struts, Tires, Tubes, Wheels, and others.

INSTRUMENTS AND RELATED SYSTEMS

Altimeters, Amplifiers, Attenuators, Calibration equipment, Circuit assemblies, Clocks, Compasses, Data display sets, Gyroscopes, Indicators, Meters, Relays, Switches, and others.

ELECTRICAL SYSTEMS AND EQUIPMENT

Automatic test equipment, Calibration and checkout equipment, Chargers, Converters, Generators, Lighting equipment, Power supplies, and others.



PROPELLERS AND COMPONENTS

Actuators, Alignment equipment, Balancers, Bearings, Blades, Control assemblies, Gears, Governors, Ground handling equipment, Hoists, Servos, Special tools, and others.

NEWPORT AERONAUTICAL


NEWPORT AERONAUTICAL**AIRCRAFT APPLICATION LIST**

Listed below are many of the aircraft and engines we supply manuals and drawings on.

Please call us if you do not see the model you need information about.

Aircraft by model number and manufacturer

340	SAAB	C-212	Various	HH-65	Eurocopter
707	Various	CF-5	Northrop	KC-10	McDonnell Douglas
727	Various	CH-3	Sikorsky	KC-130	Lockheed
737	Various	CN-235	Various	KC-135	Boeing
747	Various	CH-46	Boeing/Vertol	L-100	Lockheed
757	Various	CH-47	Boeing/Vertol	L-188	Lockheed
767	Various	CH-53	Sikorsky	L-382	Lockheed
777	Various	CH-54	Sikorsky	L-1011	Lockheed
787	Various	CRJ-100/200	Bombardier	MD-11	McDonnell Douglas
A300	Various	CRJ-700/900	Bombardier	MD-80	McDonnell Douglas
A310	Various	DC-10	Douglas	MD-90	Douglas
A320	Various	DHC-6	De Havilland	MH-53	Sikorsky
A330	Various	DHC-7	De Havilland	MH-60	Sikorsky
A340	Various	DHC-8	De Havilland	O-2	Cessna
A350	Various	EMB-120	Various	OV-1	Grumman
A380	Various	EMB-135	Various	OV-10	North American
A-4	Douglas	EMB-140/145	Various	P-3	Lockheed
A-10	Fairchild	EMB-170/175	Various	P-51	North American
A-37	Cessna	EMB-190/195	Various	S-2	Grumman
AH-64	McDonnell Douglas	E-2	Grumman	S-3A	Lockheed
AV-8B	McDonnell Douglas	E-3A	Boeing	S-61	Sikorsky
B-200	Beechcraft	F-4	McDonnell Douglas	S-64	Sikorsky
B-1900	Beechcraft	F-5	Northrop	S-70	Sikorsky
CL-600	Canadian Reg. Jet	F-15	Boeing	SH-3	Sikorsky
C-2	Grumman	F-16	Lockheed	SH-60	Sikorsky
C-5	Lockheed	F-18	Boeing	T-6	North American
C-7	De Havilland	F-111	General Dynamics	T-37	Cessna
C-17	McDonnell Douglas	H-3	Sikorsky	T-38	North American
C-47	Douglas	H-60	Sikorsky	T-45	McDonnell Douglas
C-130	Lockheed	HH-53	Sikorsky	U-6	De Havilland
C-141	Lockheed	HH-60	Sikorsky	UH-60	Sikorsky


NEWPORT AERONAUTICAL

1542 Monrovia Avenue

Newport Beach, California 92663-2807

949.574.4100 | Fax 949.574.4106

www.newportaero.com | info@newportaero.com

All technical data is published by
Original Equipment Manufacturers
and U.S. Government Agencies

Some sales are subject to U.S. Government approval
and export controlled (in accordance with DOD 5230.25)

No classified or proprietary data is available

www.newportaero.com